

ETC., Etc., etc.

New Roster is included. Please note not only new members, but changes in address for several old members. A special welcome to our new overseas members. As well as France and England, we now have our first member in Australia!

If any of you would like to run "Christmas Specials" in the Classified Ads, please send them in by December 10.

Your Editor would like to wish all of you a wonderful Thanksgiving Holiday.

This month's paper will probably be a couple of days late as your Editor has bronchitis and is having to rely on neighbors to get the paper copied and mailed - sorry about that!

More later.....

*Judith*

IN THE SPOTLIGHT.....

ACCOUNTANT, WRITER, LIGHTER COLLECTOR  
WHICH HAT DOES B.J. WEAR TODAY?

B. J. Fisher has a lot of bases to cover, but manages to find time for all of them.

B. J. and his twin brother, Matt, have an accounting practice in Tulsa Oklahoma. But B. J. says now he is in the finishing stages of the novel he is writing, so he is only working part time in the accounting business. And between the other 2 activities, is an avid lighter collector.

A few years ago, B. J. found an electric "MICO" cigar lighter. After looking in a few antique books, he said he found the lighter was not necessarily "that rare" but was significant in that type of lighter. Finding that lighter, by accident, was the beginning of B. J.'s fascination with the old and more unusual lighters.

Today B. J.'s collection is over 500 lighters and growing every week. Being a writer, B. J. not only described some of his favorite lighters, but also told some interesting stories to go along with the descriptions.

Following are some of B. J.'s stories (in his own words) (sorry the picture he sent isn't clear enough to xerox).

"The cigarette case (lighter) .... is made of leather with a flip top and spring loaded cover. It belonged to my great-grandfather on my mother's side of the family and when I moved her to a new apartment I found it in an old wood box under her bed. It is stamped on the bottom with an eagle and the letters R G and was made in Vienna. It also has the markings, 'ERPLEX O.P.A.' though I think there is a letter before the 'E' that I can't read.

One of my favorites .... is a 1940's, brass, Candle Stick table lighter. I think the marking reads 'RASCHE,' but I'm not sure. When the thumb plate is pushed down the top springs back and the fluid wick is lit.

My latest purchase is the 'P-38' table lighter. When the prop is turned the cockpit comes open.

There is one other in the photo that I just bought and it is the Trophy Lighter, but I don't know who made it. The US Pat.number is 2484414. Would like to know who the manufacturer is, if one of the members knows. The lighter is in excellent condition and the top locks into place by two raised lips. It has no presentation markings."

In a telephone call this week with B. J., he also described a lighter he had just bought which sounded interesting. He said it is a sterling silver man's face. The face is hollow and is an ashtray. The tongue is a #5 brass lighter.

I'm also pleased to announce B. J. has volunteered to become Research Chairman for OTLS. The idea for this committee was first suggested by Bud Markham, but until now no one has had the time. Now B. J. would like for a few of you to volunteer to be committee members and help with this project.

A little trivia: We discovered during our conversation that B.J., Matt and your Editor all went to the same high school in Tulsa.

(jointly written by B. J. Fisher and Judith Sanders)

COLLECTORS' CORNER

Your Editor has just received a copy of a Patent of an old and unusual lighter.

Following is some of the Patent information, as shown:

"Charles Berberich of Waterbury, Connecticut. Application filed January 14, 1918 - Patented Dec. 31, 1918. Pat. No. 1,289,614.

Be it known that I, Charles Berberich, a citizen of the United States...have invented certain new and useful Improvements in Pocket-Lighters, of which the following is a specification.

This invention relates to improvements in pocket lighters, and has as its special object the provision of means whereby currents of air are prevented from coming in contact with the flame when the article is in use, thereby providing against its untimely extinguishment.

Fig. 1 is a side elevational view of a lighter made in accordance with the invention. Fig. 2 is a similar view of same, the guard element being extended.

Fig. 3 is a front view of lighter as extended.

Fig. 4 is a fragmental sectional view drawn to a further enlarged scale, illustrating the structure of the guard element."

EDITOR'S NOTE: Do any of you have this lighter?

Fig. 1.

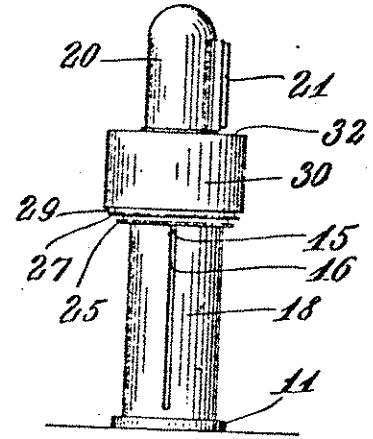


Fig. 2.

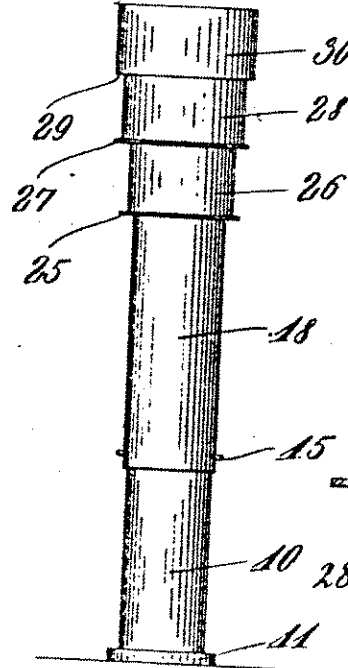


Fig. 4.

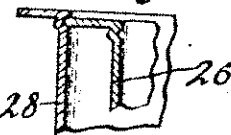
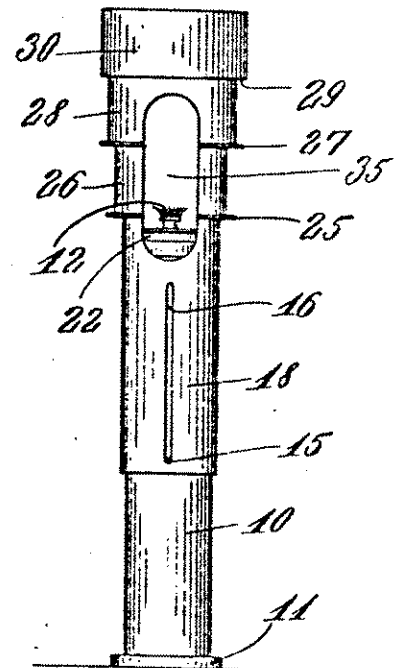


Fig. 3.



Inventor  
Charles Berberich  
By his Attorney Oscar G. Hill

For Sale or Trade

For Sale or Trade for pipes or pipe lighters:

1. Ronson Varaflame butane, chrome, in presentation case.
2. Ronson Whirlwind liquid fuel, satin chrome, in box w/instructions.
3. Ronson Whirlwind, tan metallic enamel, liquid fuel.
4. Ronson Vanguard butane, black enamel (an early butane model).
5. Ronson West German piezo butane, black plastic.
6. Flaminaire (Parker Pen Co.) butane, chrome, in presentation case.
7. Evans, black leather & nickel, liquid fuel, U.S. Pat. No.
8. Douglas, black leather & nickel, liquid fuel, Pat. 1926.
9. Bowers, Kalamazoo, MI, black gunmetal, liquid fuel.

ZIPPOS:

10. Regular 1957 satin chrome, (International Harvester logo).
11. Regular 1965 satin chrome (Liberty Nat'l Life Insurance Co.).
12. Regular 1967 satin chrome (plain).
13. Regular 1984 solid brass (1932-1984).
14. Slim 1961, chrome (plain).
15. Slim 1969, chrome (Herb Durham, specializing in Zippo).
16. Slim 1977, chrome (McDonnell-Douglas).

For Sale or Trade

17. Zippo type, regular size solid silver 950 hand tooled case.  
Al Grosskopf

Gold colored metal, pot belly stove. 5-1/2" high x 3" wide. Very heavy lighter. No markings except the word "Japan" on lighter insert. \$10 plus postage. Judith Sanders.

Small collection for Sale - includes the following: Table lighters - 3 Ronsons; 6 Zippos w/ads; approx. 35 other type pocket lighters with ads, some in original boxes, no duplicates, most all are at least 20 years old. This man would like to sell all of them in one lot - is willing to sell them at a reasonable price - your Editor has complete inventory for anyone who is interested. Owner is Thomas Costello (non-member) - his address is available for anyone interested.

2 Polaroid SX-70's to photo-graph lighters. 1 is stainless steel & leather covered at \$55 - the other painted metal and leatherette covered at \$45. Both are single lense reflex design & focus down to about 7".  
Al Grosskopf

Wanted to Buy or Trade

Want Dunhill lighters with watches in them. John Cuevas

Want to buy lighters for a reasonable price. Send picture & price and I'll respond soon after. Joe Fink

Will trade cigarette lighters for old fountain pens. John Cuevas

Ronson "Bartender" lighter.  
Judith Sanders

ON THE LIGHTER SIDE

Printed Once A Month  
For Lighter Collectors

John Cuevas      President  
Jim Gartner      VicePres.  
Judith Sanders    Sec/Treas  
                                 Editor

Ads in this paper are free for members. There is a \$1 charge for non-members. Please send ads in printed form. For information, write or call:

Judith Sanders  
Rt. 3, 136 Circle Dr.  
Quitman, Tx. 75783  
214/763-2795